

THE LEADING TECHNOLOGY IN
STANDARDISED TIMBER CONNECTOR SYSTEMS



www.sherpa-connector.com

Sherpa Sonus

So quiet
you wouldn't
know it's there

WORLD'S FIRST

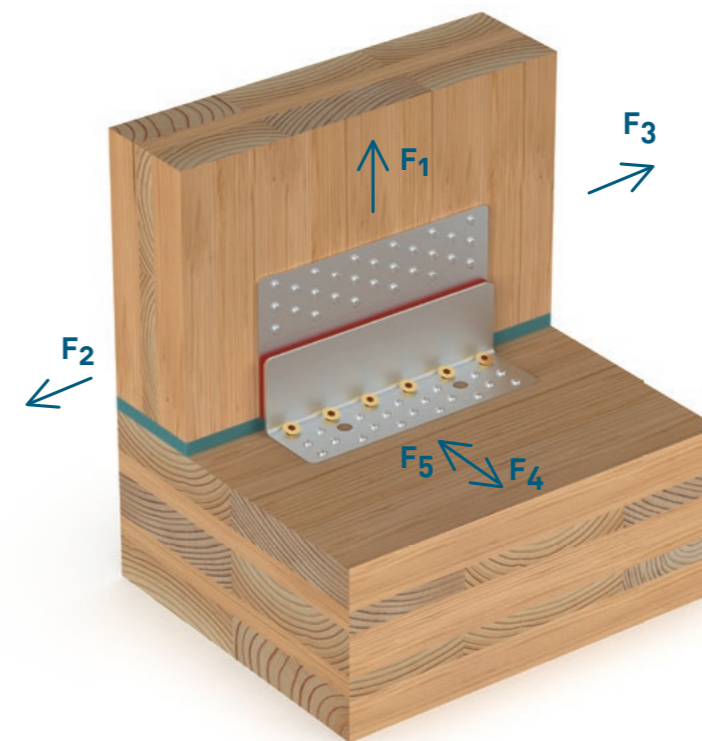
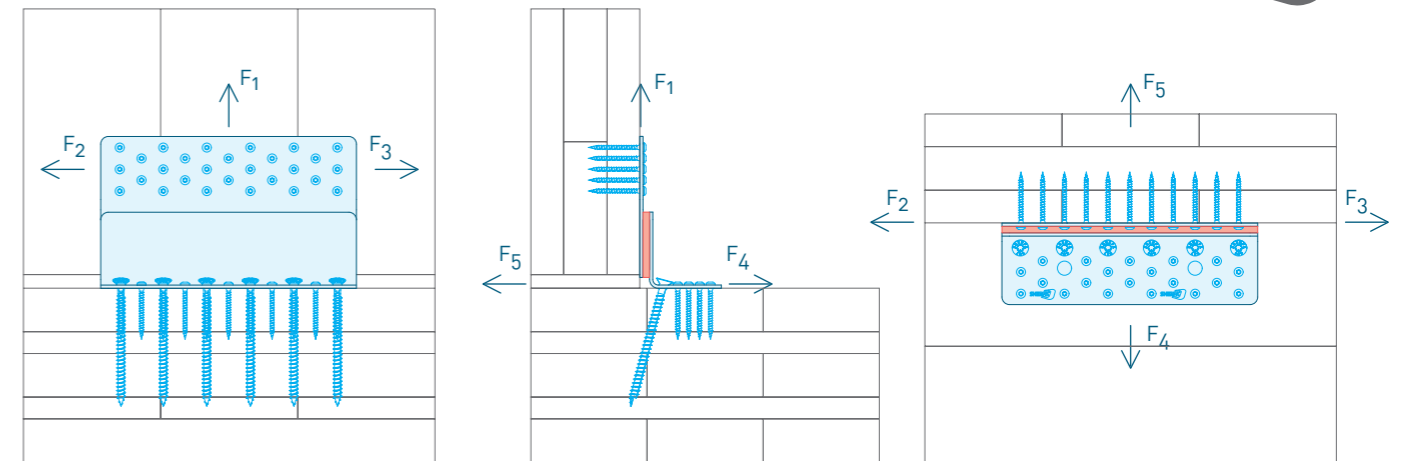


THE SILENT TIMBER CONNECTOR

SOUND INSULATION IS THE NAME OF THE GAME!

SHERPA stands for leading technology in standardised timber connector systems. The new SONUS sound insulation bracket too stays true to this calling. The bracket, now available in two connector sizes, revolutionises connection technology in timber construction when it comes to sound insulation.

Option	Fastener	Sonus M	Sonus L
		Quantity [pcs.]	Quantity [pcs.]
1	Shanked nails 4 x 60 mm	22	48
2	Shanked nails 4 x 60 mm & Special screws 8 x 120 mm	22	48
3	Fittings screws 5 x 50 mm	22	48
4	Fittings screws 5 x 50 mm & Special screws 8 x 120 mm	22	48



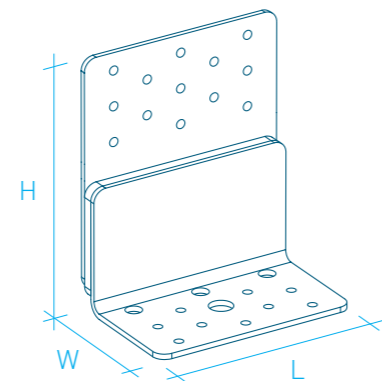
BENEFITS

- Optimum sound insulation
- High load capacity
- Tested system
- Easy assembly
- Top sound decoupling

SONUS M

115 x 75 x 140 mm (L x W x H)
Art. no. 10000037415

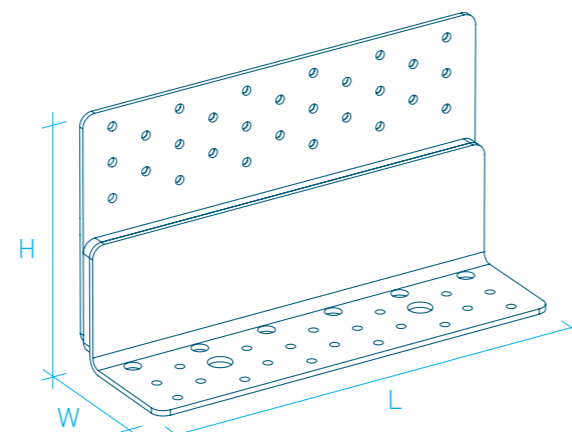
Load capacity in kN	R _{1,k}	R _{2/3,k}	R _{4,k}	R _{5,k}
Option 1	5.40	7.36	10.5	1.25
Option 2	17.8	10.6	14.8	2.34
Option 3	7.73	7.36	10.5	2.33
Option 4	17.9	10.6	14.8	4.38



SONUS L

235 x 75 x 140 mm (L x W x H)
Art. no. 10000037416

Load capacity in kN	R _{1,k}	R _{2/3,k}	R _{4,k}	R _{5,k}
Option 1	11.8	27.3	20.6	2.84
Option 2	34.9	32.4	29.7	4.70
Option 3	16.7	27.8	20.6	5.32
Option 4	36.6	33.9	29.7	8.79

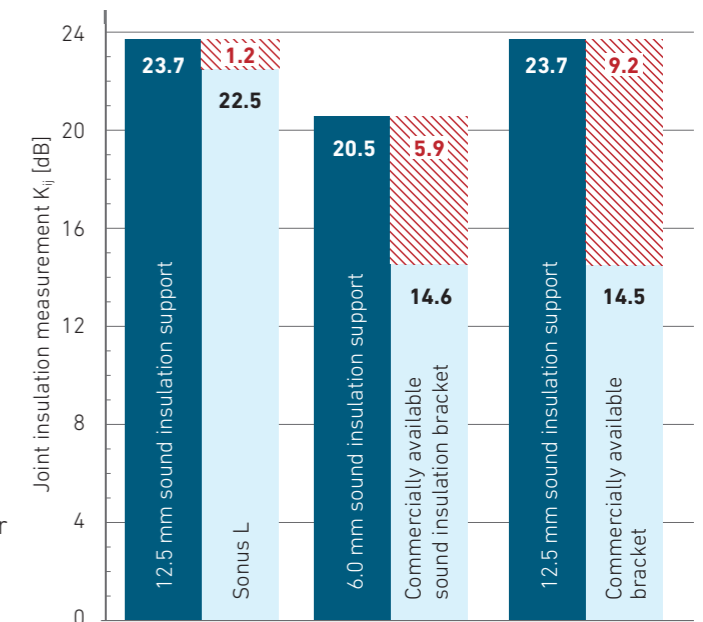


PERFORMANCE COMPARISON

L-joint in CLT wall (100 mm) and CLT ceiling (140 mm) with sound insulation support tested in 1:1 format and with load application of 0.18 N/mm².

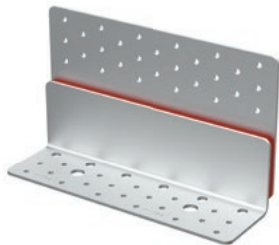
Joint insulation measurement K_{ij} tested in each case with and without elbow connector with comparable load capacity $R_{2/3,k}$ (kN/running metre).

- With sound insulation support only
- With sound insulation support and elbow connector
- ▨ Joint insulation measurement modified by elbow connector (ΔK_{ij})



SHERPA SONUS

PRODUCT OVERVIEW



SONUS L

235 x 75 x 140 mm (L x W x H)
Art. no. 10000037416



SONUS M

115 x 75 x 140 mm (L x W x H)
Art. no. 10000037415



Regufoam 150 - 990 plus

12.5 mm supporting
in 8, 10, 12 & 14 cm width



Special screws

8 x 120 mm
Art. no. 10000023936



Shanked / anchor nails

4 x 60 mm



Fittings screws

5 x 50 mm

SHERPA[®]

SHERPA Connection Systems GmbH

Badl 31, A-8130 Frohnleiten

SHERPA-HOTLINE:

Service: +43 3127 41 983 - 0

Technical Support: +43 3127 41 983 - 311

office@sherpa-connector.com

www.sherpa-connector.com

